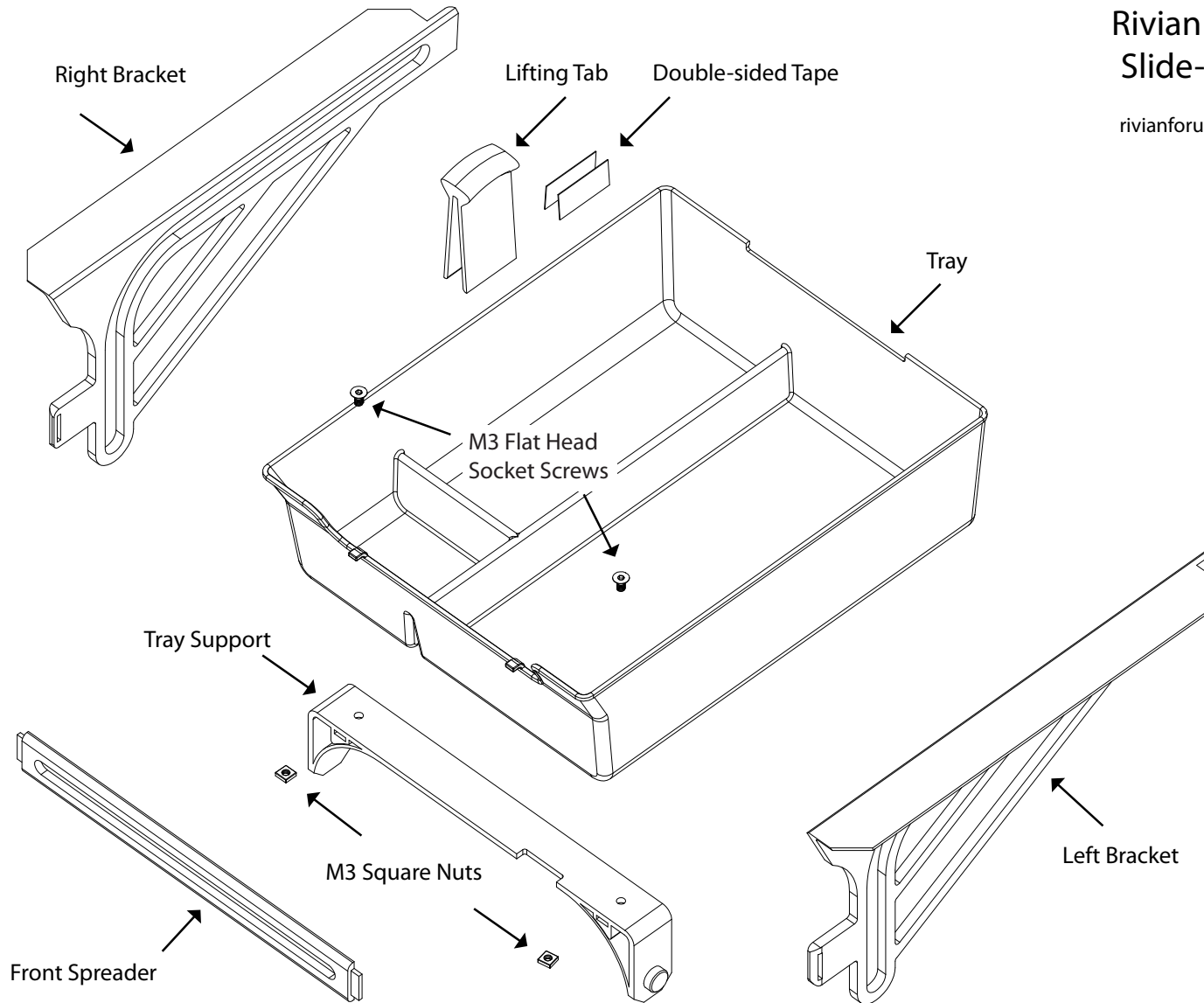


# Rivian R1T, R1S Armrest Console Slide-Out Tray Mechanism (Kit)

[rev12 — 2025.01.10]

[rivianforums.com/forum/members/raylepper.14767/](https://rivianforums.com/forum/members/raylepper.14767/)



## Kit Contents

- 1 Tray
- 1 Left Bracket
- 1 Right Bracket
- 1 Tray Support
- 1 Front Spreader
- 1 Lifting Tab
- 2 Double-sided Tape
- 2 M3 Flat Head Screws
- 2 M3 Square Nuts
- 1 2mm Hex Wrench

1

Insert M3 Square Nuts into recesses on edge of Tray Support. Press nuts fully in so that threaded holes are visible through holes in top of Tray Support.

2

Position Tray Support under Tray. Align holes in Tray and Tray Support then secure with two M3 screws.

3

Remove one side of backing from one piece of Double-sided Tape. Place tape on inside surface of one leg of Lifting Tab. Press firmly. Repeat with second piece of tape and other leg of Lifting Tab.

4

Place the rubber pads (not shown in drawing) into their respective compartments. Remove backing from both pieces of Double-sided Tape. Keep legs of Lifting Tab apart!

5

Locate Lifting Tab over center rib of Tray, just forward of small divider rib. Keep legs of Lifting Tab from touching rib, while pushing legs down to touch rubber pads. Press legs firmly against sides of center rib.