



US00D993861S

(12) **United States Design Patent** (10) **Patent No.:** **US D993,861 S**  
**Mack et al.** (45) **Date of Patent:** **\*\* Aug. 1, 2023**

(54) **VEHICLE ROCK RAIL**  
(71) Applicant: **Rivian IP Holdings, LLC**, Plymouth, MI (US)  
(72) Inventors: **Luke Mack**, Newport Beach, CA (US); **Jonathan Szczupak**, Orange, CA (US)  
(73) Assignee: **Rivian IP Holdings, LLC**, Irvine, CA (US)  
(\*\*) Term: **15 Years**  
(21) Appl. No.: **29/783,311**  
(22) Filed: **May 12, 2021**  
(51) **LOC (14) Cl.** ..... **12-16**  
(52) **U.S. Cl.**  
USPC ..... **D12/203**  
(58) **Field of Classification Search**  
USPC ... D12/203, 89, 98, 314, 162, 190, 196, 414  
CPC .. B60R 3/002; B60R 3/02; B60R 3/00; B60R 3/005; B60R 3/007  
See application file for complete search history.

(56) **References Cited**  
U.S. PATENT DOCUMENTS  
D497,338 S \* 10/2004 Metros ..... D12/203  
D511,731 S \* 11/2005 Lariviere ..... D12/196  
D513,725 S \* 1/2006 Metros ..... D12/203  
D546,259 S \* 7/2007 Metros ..... D12/203  
D596,097 S \* 7/2009 Huang-Tsai ..... D12/203  
D596,098 S \* 7/2009 Huang-Tsai ..... D12/203  
D618,148 S \* 6/2010 Hoppert ..... D12/203  
D632,627 S \* 2/2011 Huang-Tsai ..... D12/203  
D768,556 S \* 10/2016 McFadden ..... D12/414

D813,135 S \* 3/2018 Baeza ..... D12/203  
D817,839 S \* 5/2018 Rolfs ..... D12/203  
D833,940 S \* 11/2018 DiCanzio ..... D12/203  
D833,957 S \* 11/2018 DiCanzio ..... D12/414  
D860,896 S \* 9/2019 Rolfs ..... D12/203  
D871,292 S \* 12/2019 Tsai ..... D12/203  
D883,167 S \* 5/2020 McMath ..... D12/203  
D890,056 S \* 7/2020 Feng ..... D12/196  
D954,625 S \* 6/2022 Liang ..... D12/203

\* cited by examiner

*Primary Examiner* — Susan E Krakower

*Assistant Examiner* — Jerry Shiuan-Hua Hsu

(74) *Attorney, Agent, or Firm* — Clements Bernard Walker; Christopher L. Bernard

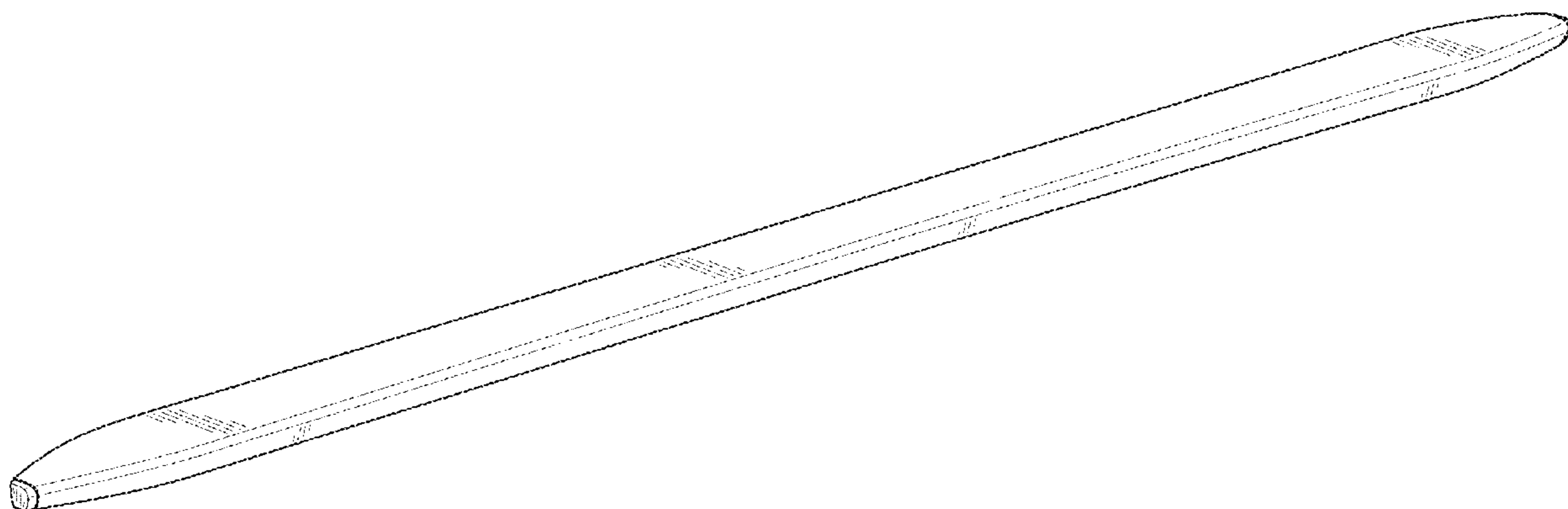
(57) **CLAIM**

We claim the ornamental design for a vehicle rock rail, as shown and described.

**DESCRIPTION**

FIG. 1 is a front perspective view of a vehicle rock rail.  
FIG. 2 is a rear perspective view of the vehicle rock rail.  
FIG. 3 is a front elevation view of the vehicle rock rail of FIG. 1.  
FIG. 4 is a left side elevation view of the vehicle rock rail of FIG. 1.  
FIG. 5 is a rear elevation view of the vehicle rock rail of FIG. 1.  
FIG. 6 is a right side elevation view of the vehicle rock rail of FIG. 1.  
FIG. 7 is a top plan view of the vehicle rock rail of FIG. 1; and,  
FIG. 8 is a bottom plan view of the vehicle rock rail of FIG. 1.

**1 Claim, 7 Drawing Sheets**



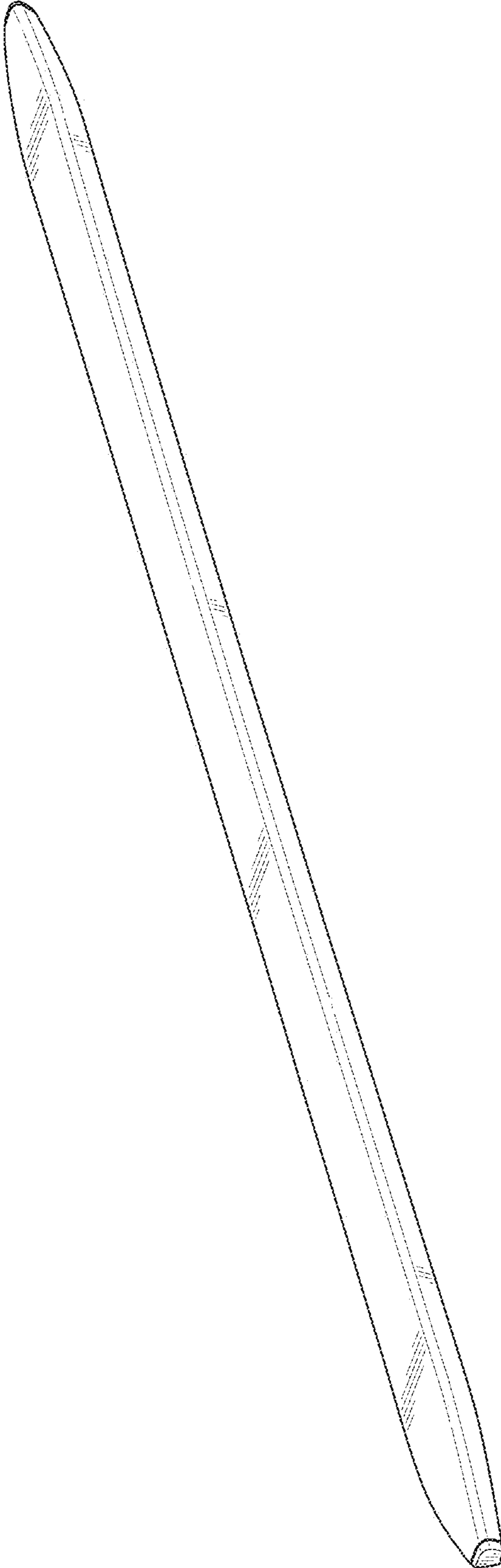


FIG. 1

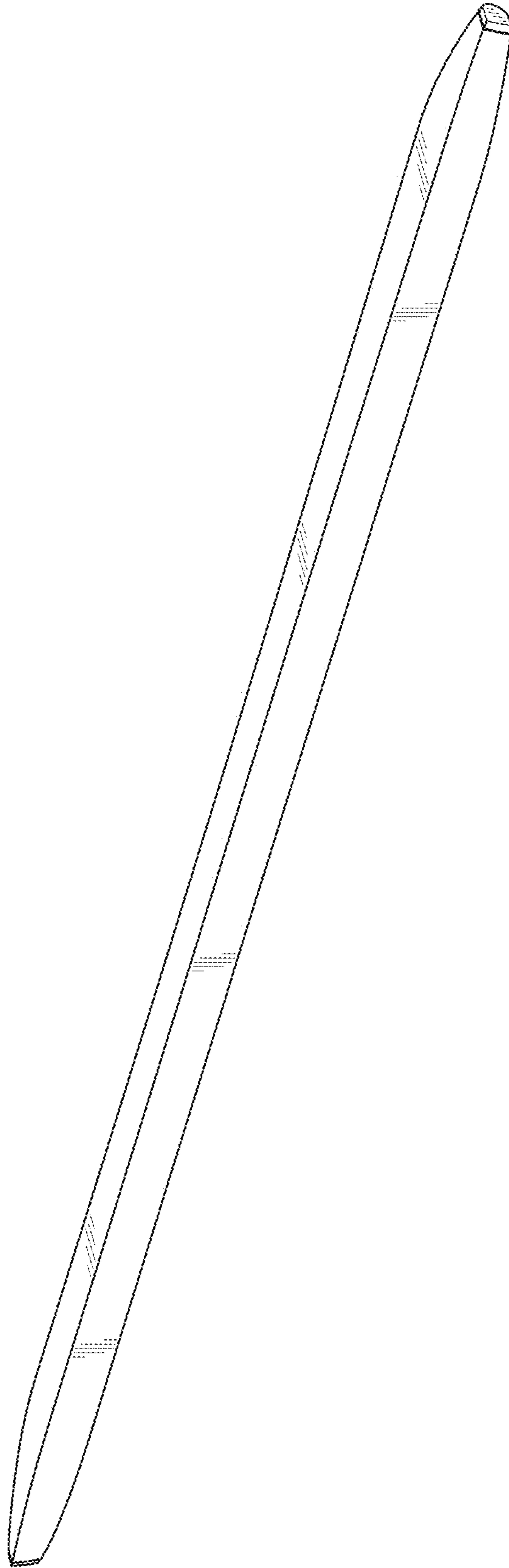


FIG. 2

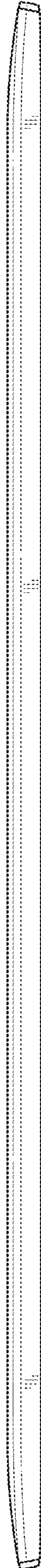


FIG. 3



FIG. 4



FIG. 6



FIG. 5

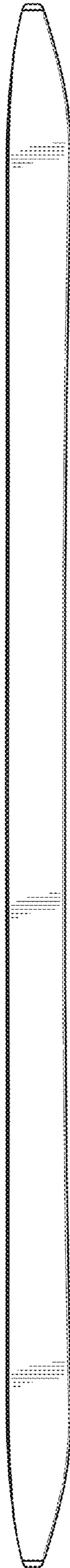


FIG. 7

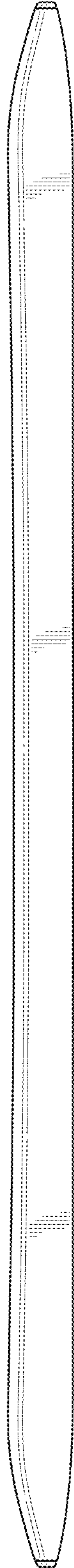


FIG. 8