

Model year 2022-2024 vehicles

Labor Code: 786410010

Important:

This manual is written for professional automotive technicians who have received high voltage training. It is the technician's responsibility to make sure that the vehicle is safe to work on before beginning inspections or repairs, and to perform all work in a safe manner and in a safe work environment. Refer to the [Introduction](#) section for additional important information.

Torque Specifications:

| Step Number | Torque (Nm) |
|-------------------|-------------|
| 5 | 9.8 |
| 6 | 5 |
| 8 | 9 |

Removal

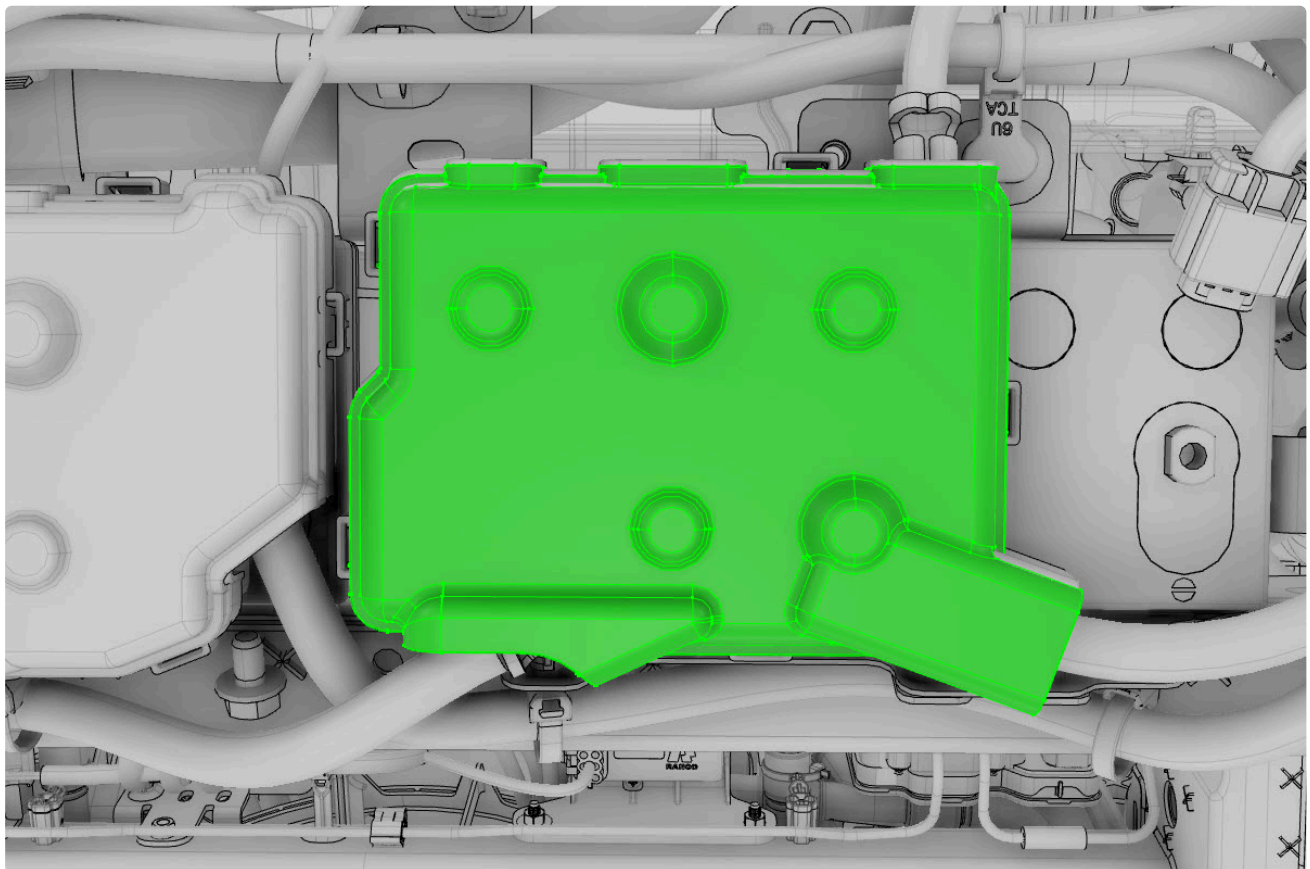
Tip:

[Use the Midtronics CPX-900 12V Battery Tester](#) to test a 12V battery before replacing it.

Note:

If the new battery is more than 6 months old, charge it before installation. [Refer to the special tool instructions for important information.](#)

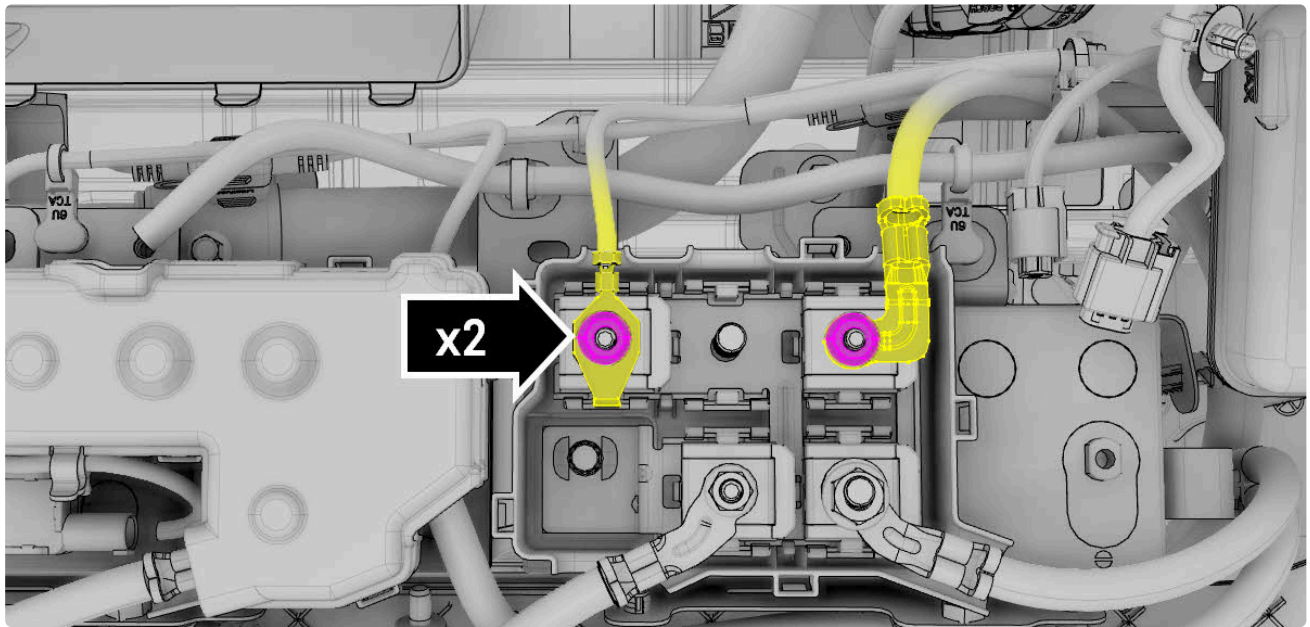
- Important:**
This procedure requires RiDE. Review the RiDE instructions specific to this procedure before starting work.
- Remove: [Bin, Underhood Storage \(Remove and Replace\)](#).
- Remove: [Sensor, 12V Battery, Intelligent, Primary \(Remove and Replace\)](#).
-



Warning:

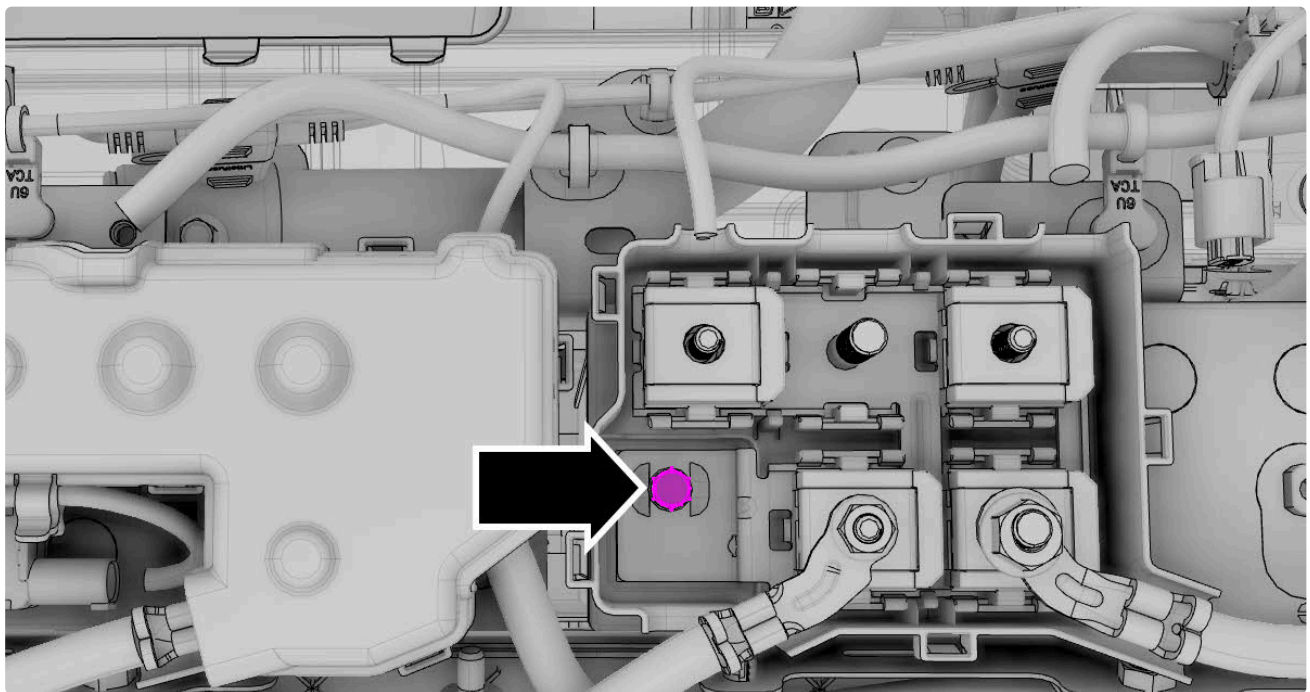
Make sure 12V power is disabled before continuing to the next step.

5.



Torque: 9.8 Nm

6.

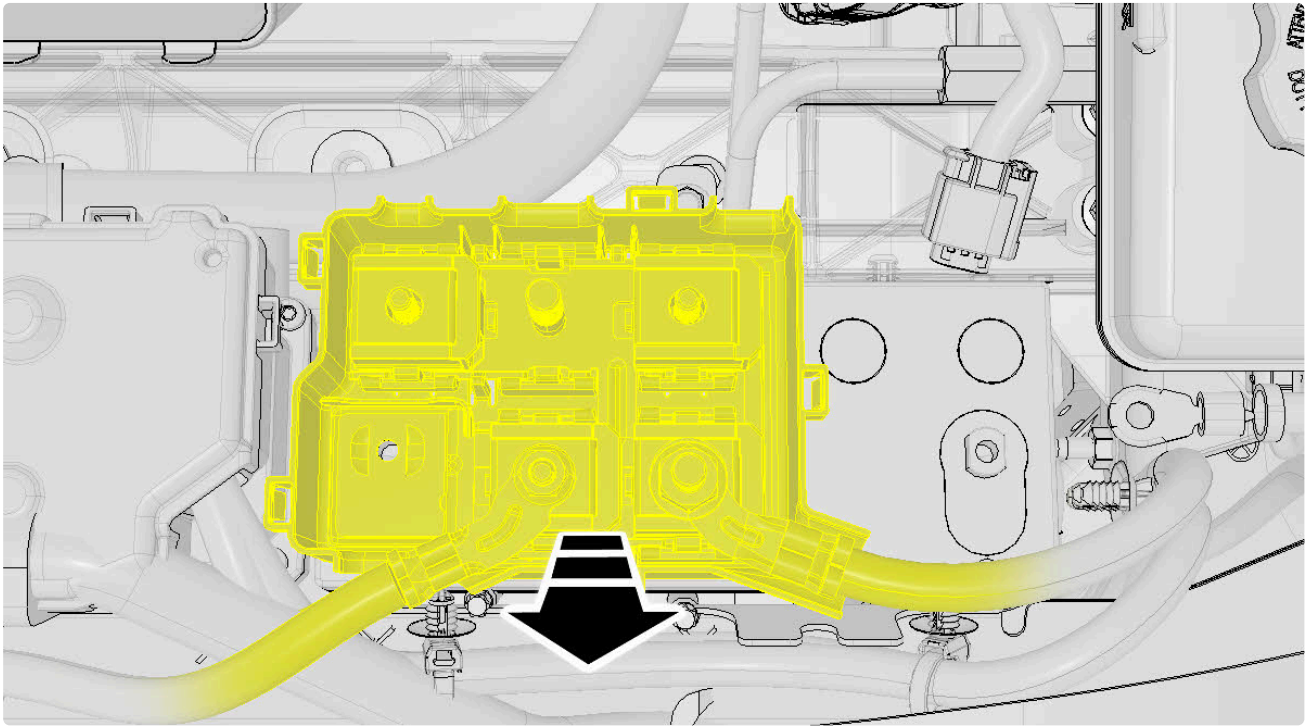


Note:

Make sure to retain washer(s) and reinstall them when reinstalling the fastener.

Torque: 5 Nm

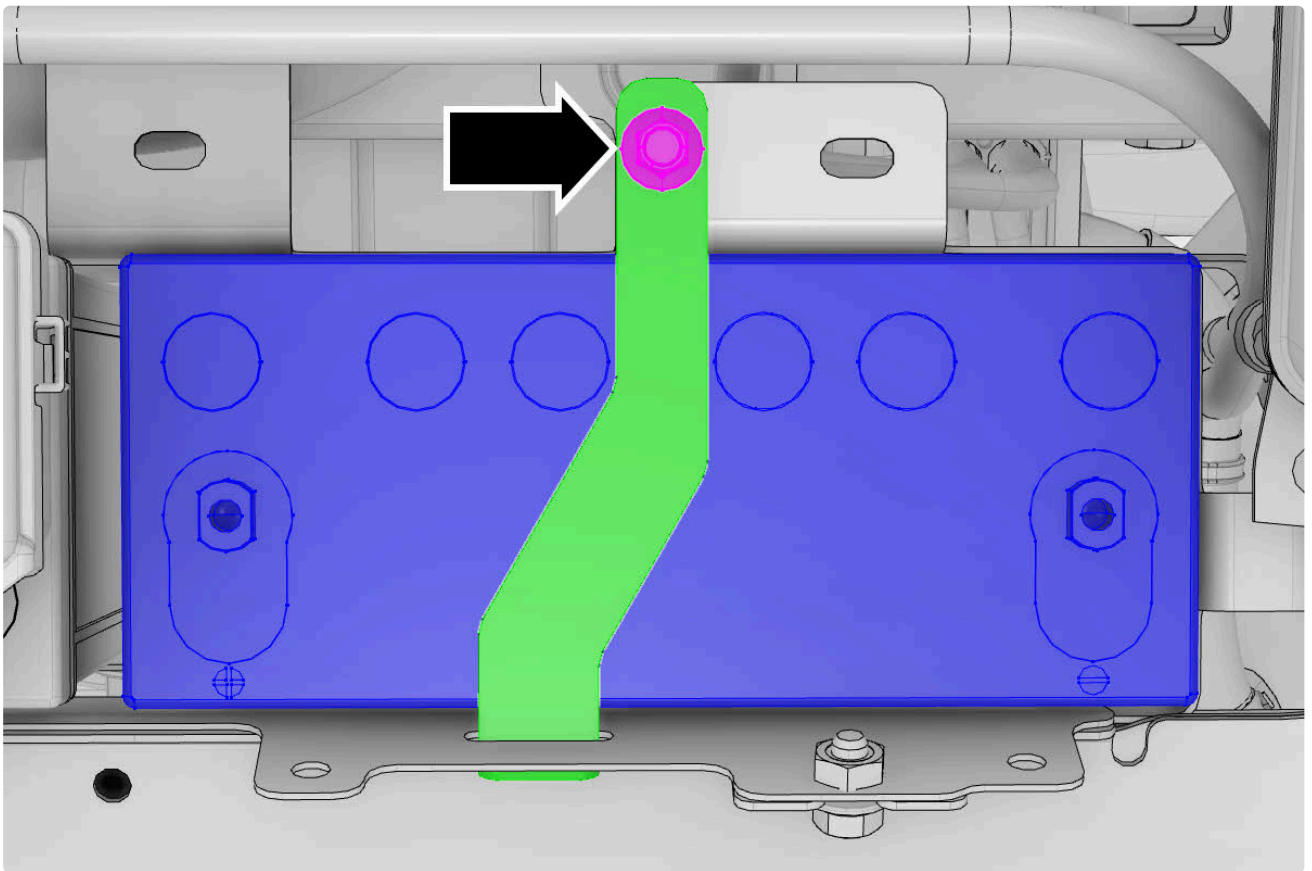
7.



8.

Tip:

Push the component from the bottom.



Torque: 9 Nm

Installation

Installation is the reverse of removal.