

# Model year 2022-2024 vehicles

Labor Code: 565010010

**Important:**

This manual is written for professional automotive technicians who have received high voltage training. It is the technician's responsibility to make sure that the vehicle is safe to work on before beginning inspections or repairs, and to perform all work in a safe manner and in a safe work environment. Refer to the [Introduction](#) section for additional important information.

**Potentially Non-Reusable Component(s):**

Part Number	Quantity	Fastener Type
SC00006995-A	3	<a href="#">Prevailing Torque</a>

**Torque Specifications:**

Step Number	Torque (Nm)
<a href="#">14</a>	8
<a href="#">20</a>	5

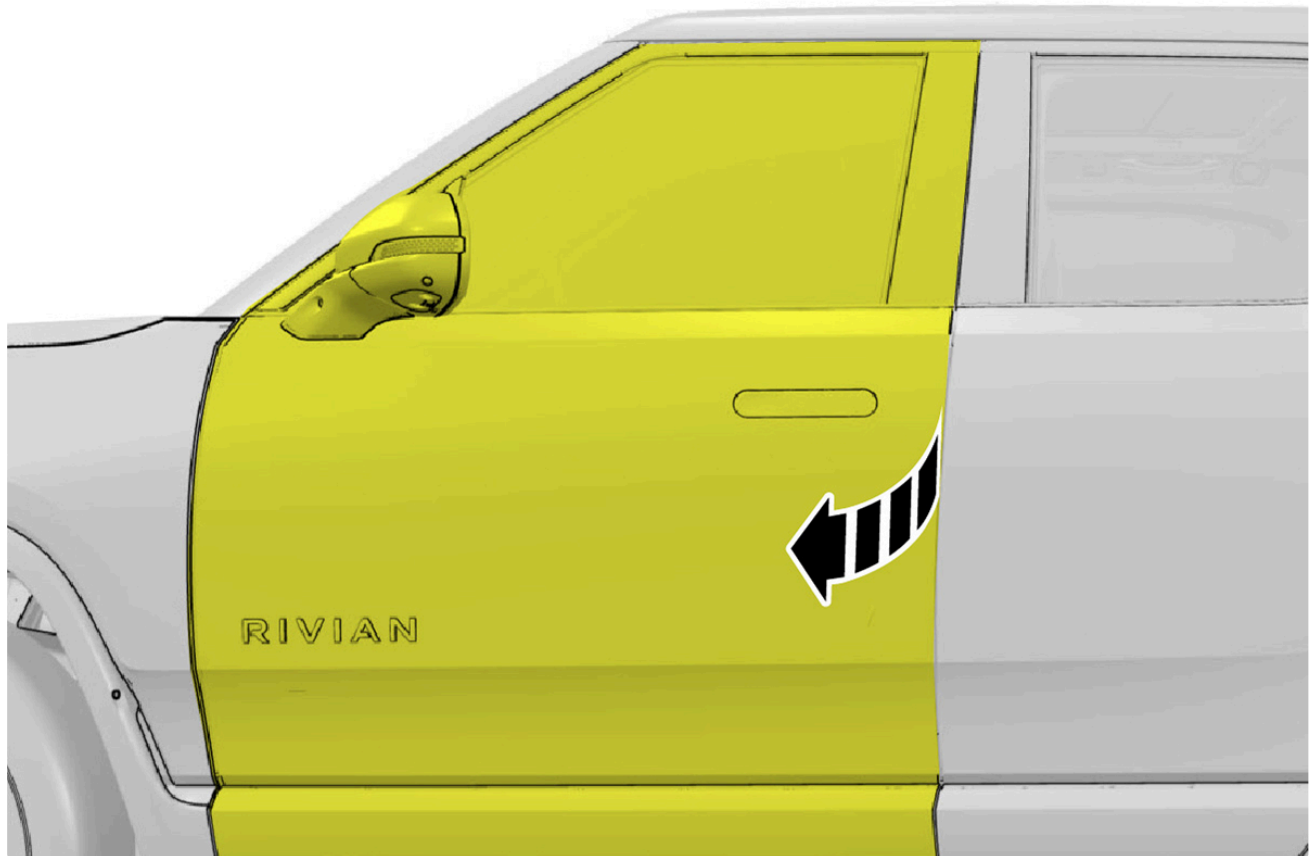
## Removal

1. LH only:

**Important:**

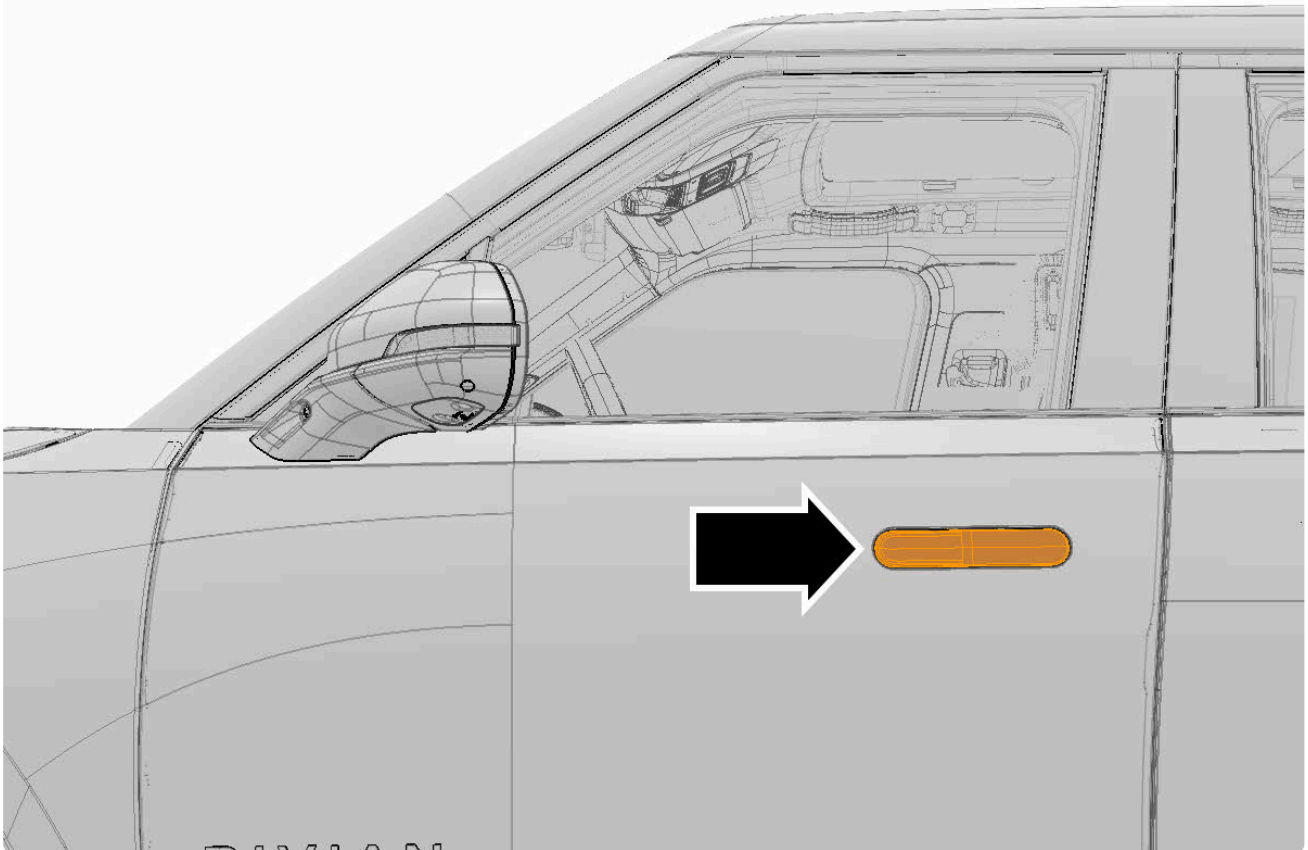
This procedure requires RiDE. Review the RiDE instructions specific to this procedure before starting work.

- 2.



3. On the center display: Select **Car wash mode** to retract the door handle.

4. If the same component will be re-installed: Cover the highlighted area(s) with protective material to prevent damage.

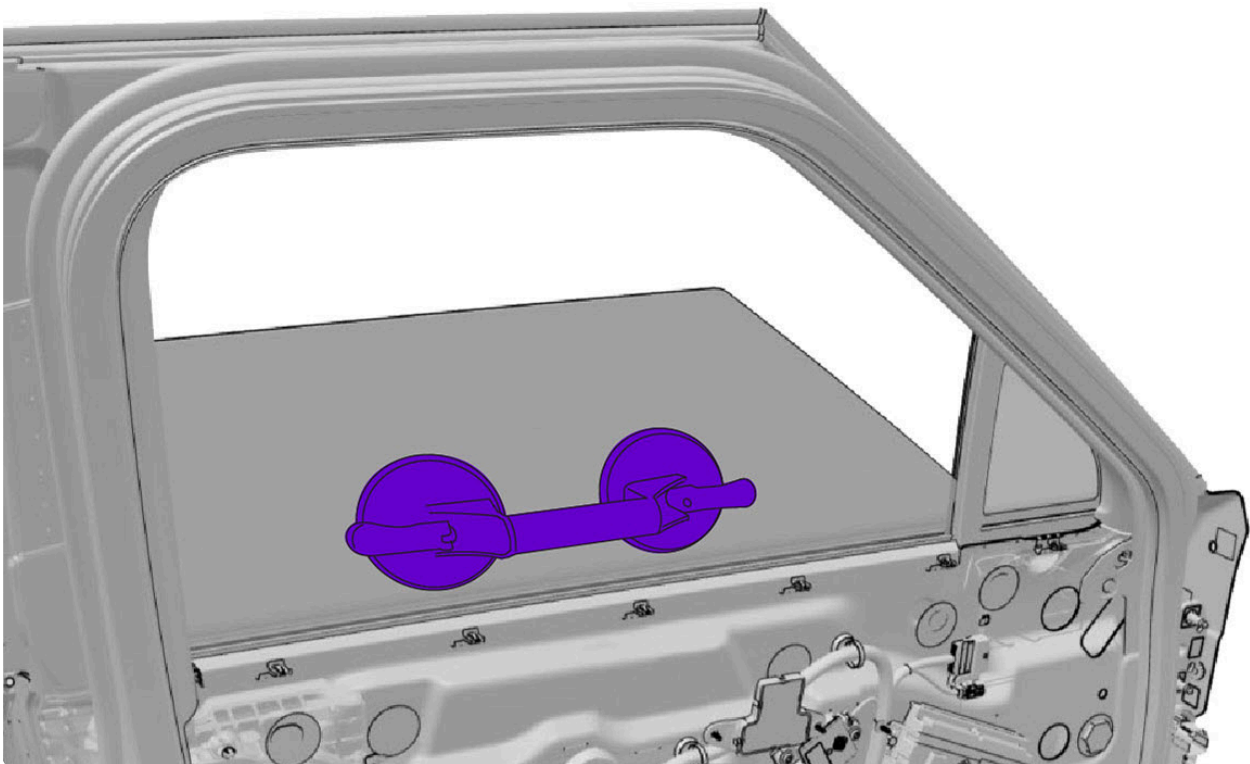


5. Lower the window to approximately 3/4 open.

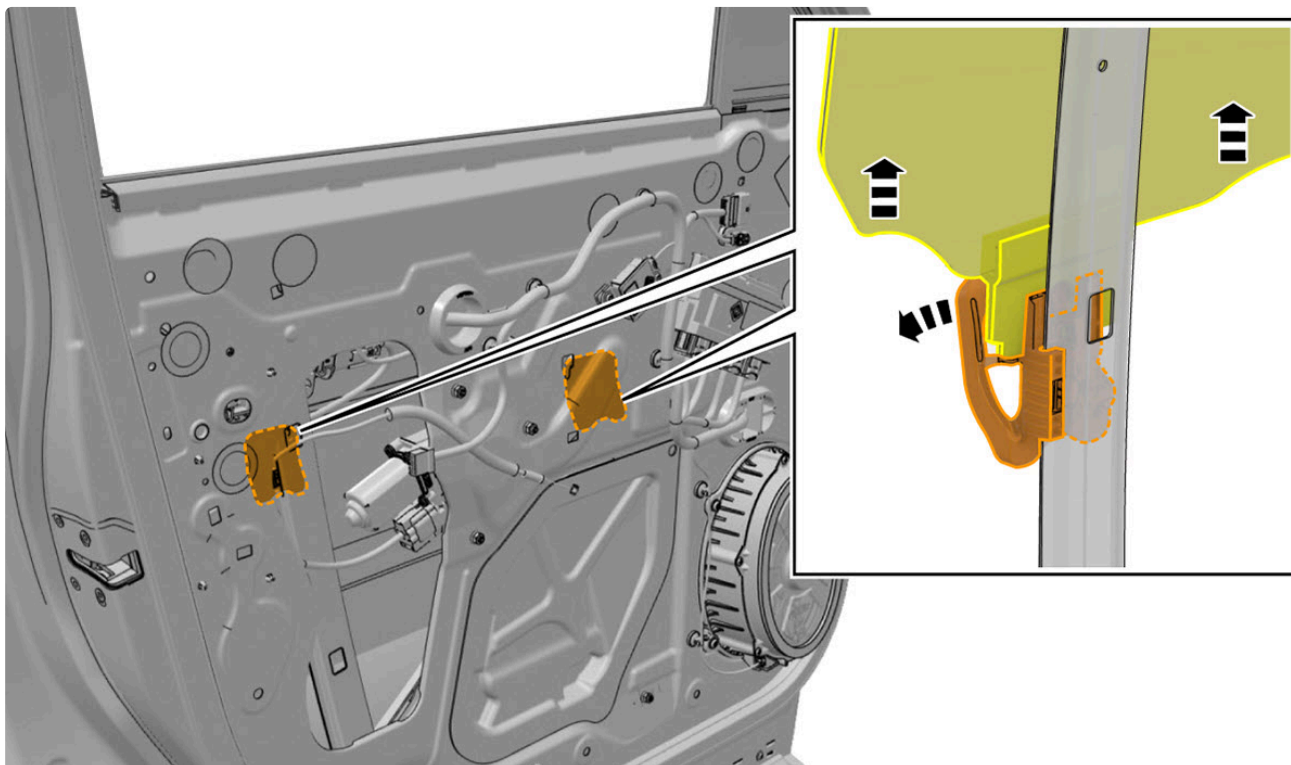
6. Remove: [Shield, Water, Front Door, LH \(Remove and Replace\)](#).

7. Remove: [Shield, Water, Lower, Front Door, LH \(Remove and Replace\)](#).

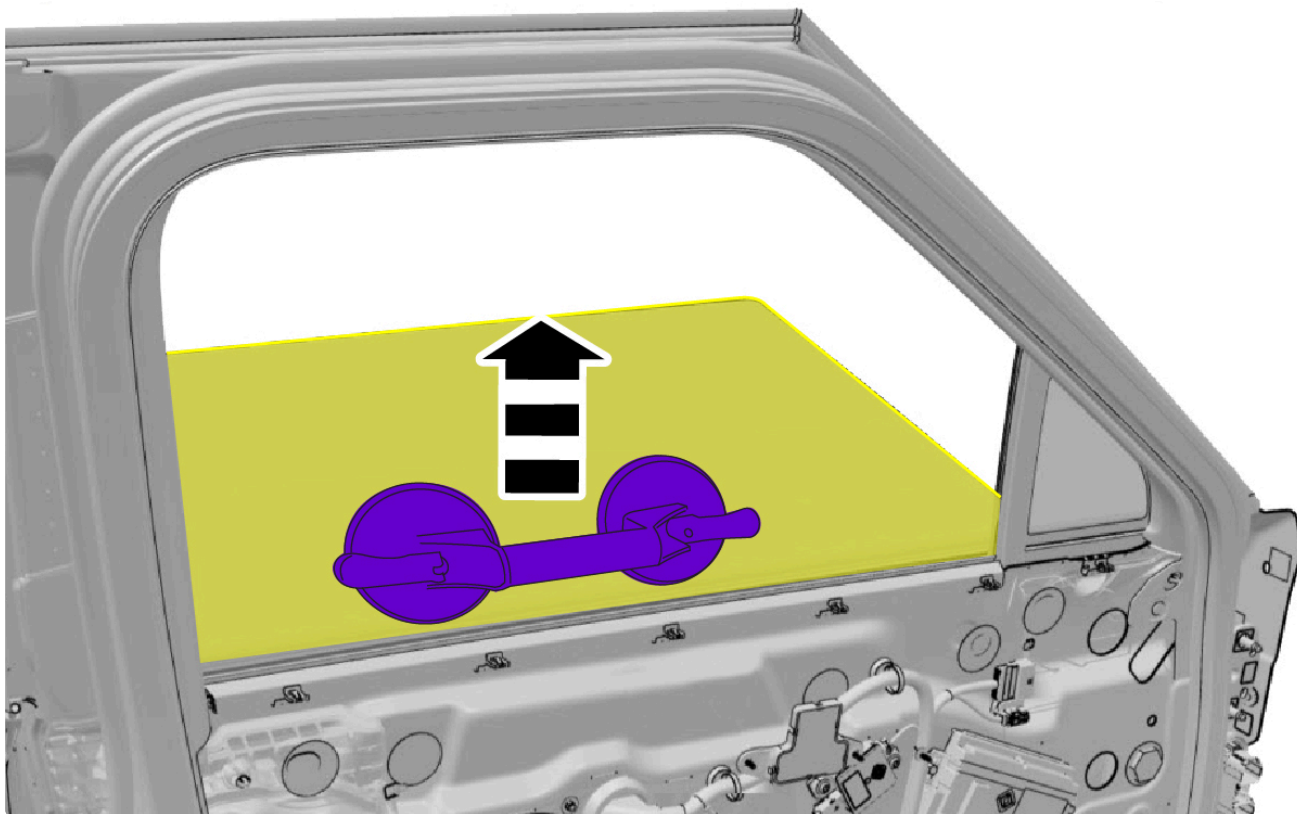
8. Using the vacuum cups:



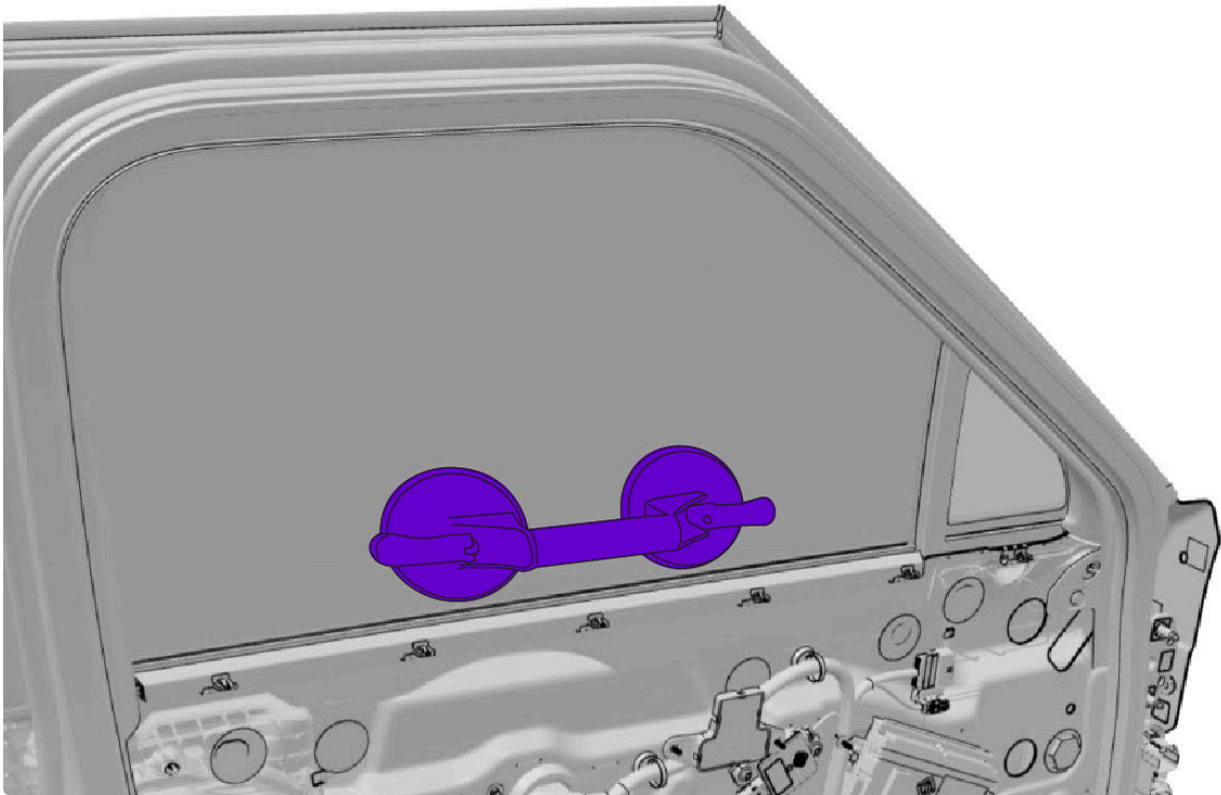
9.



10.



11. Reposition the vacuum cups to hold the window in the position shown.

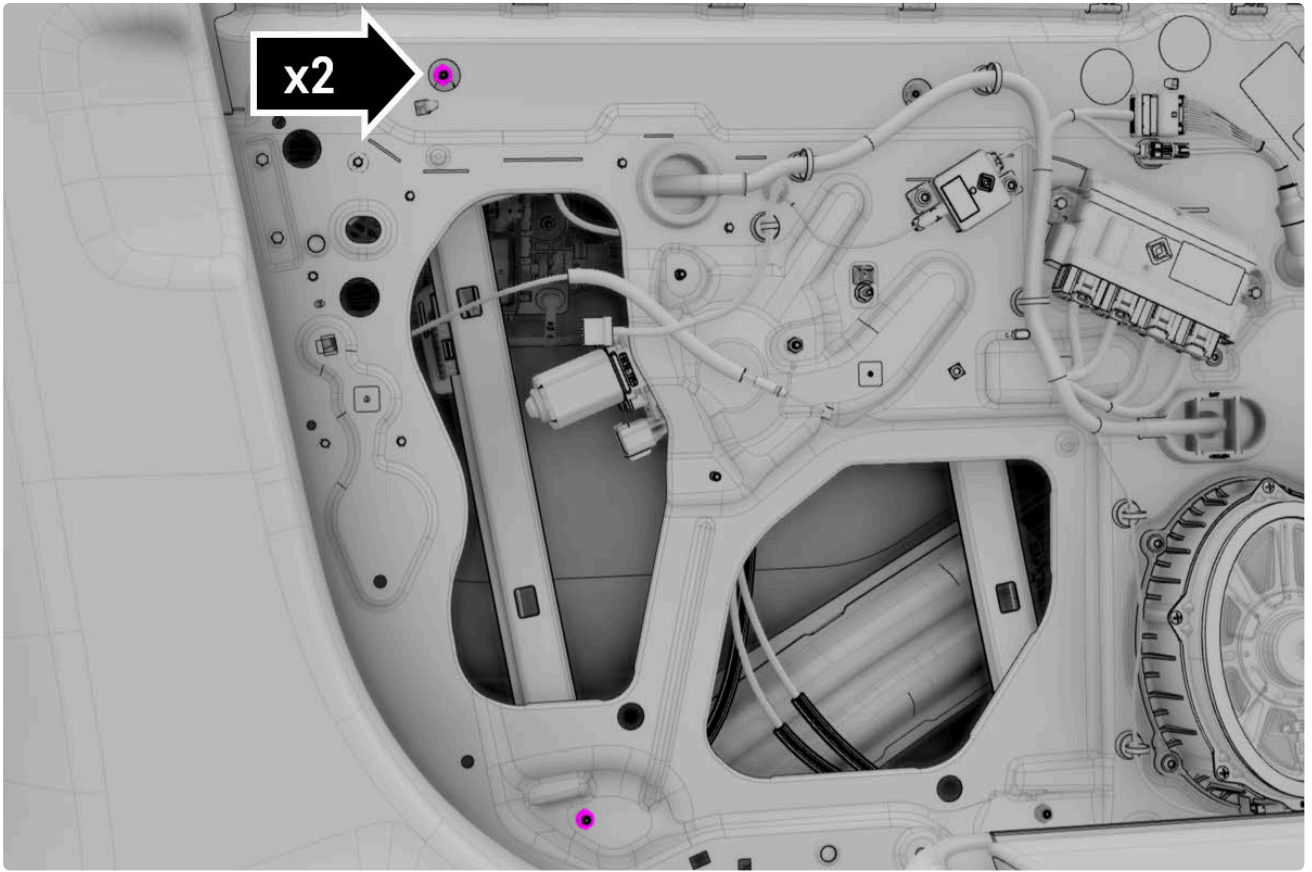


12. Use the special tool to fully lower the regulator, or temporarily reconnect the power window switch and use it to fully lower the regulator.

13.

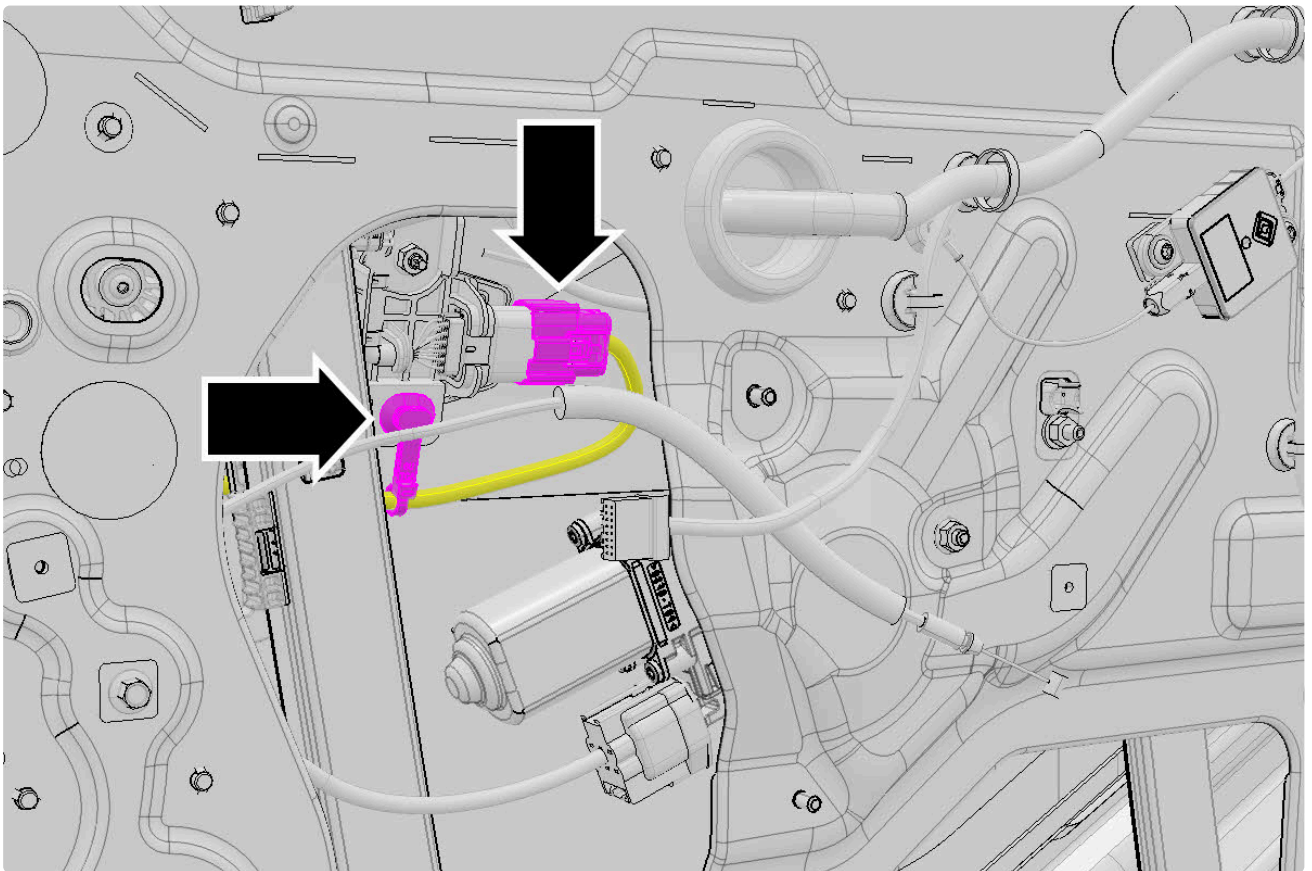


14.

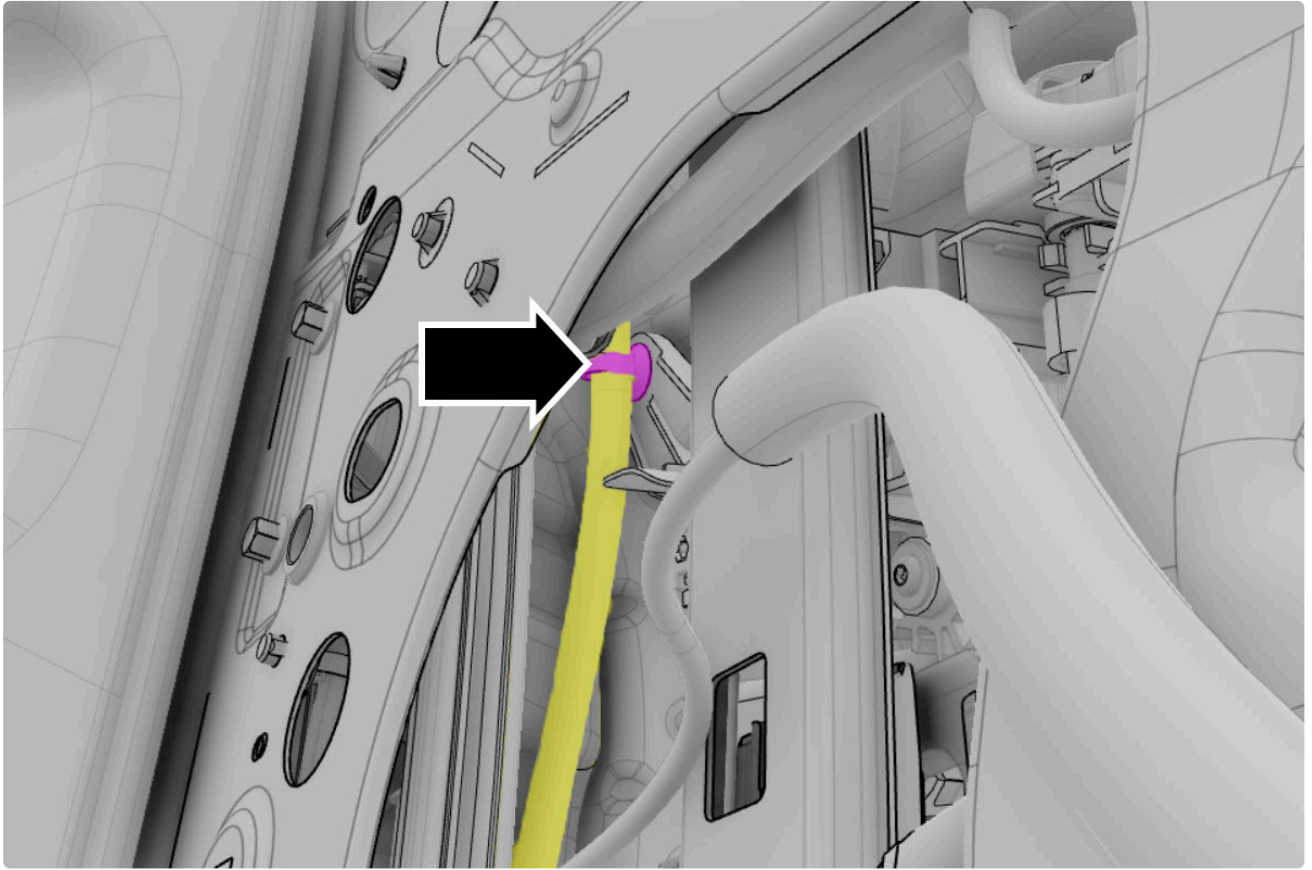


Torque: 8 Nm

15.



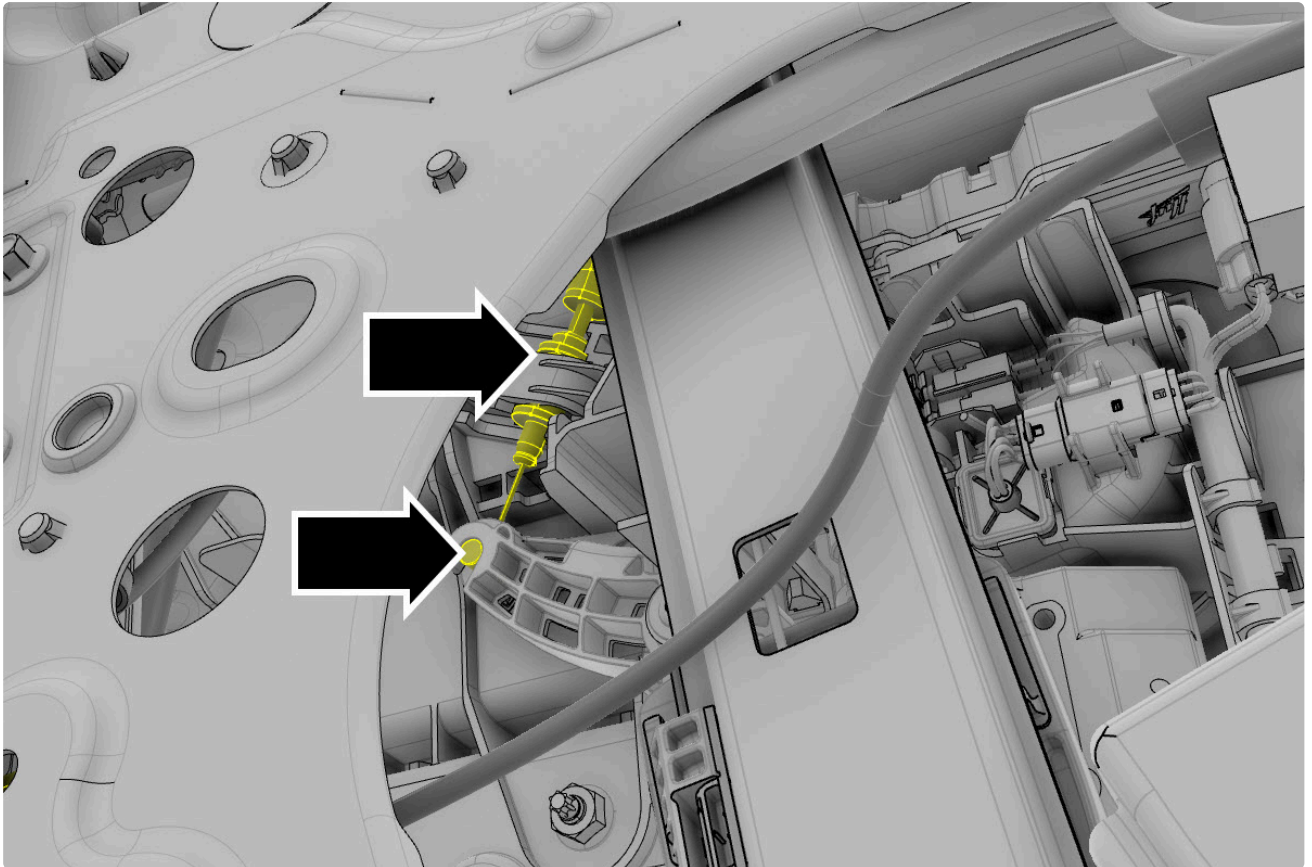
16.



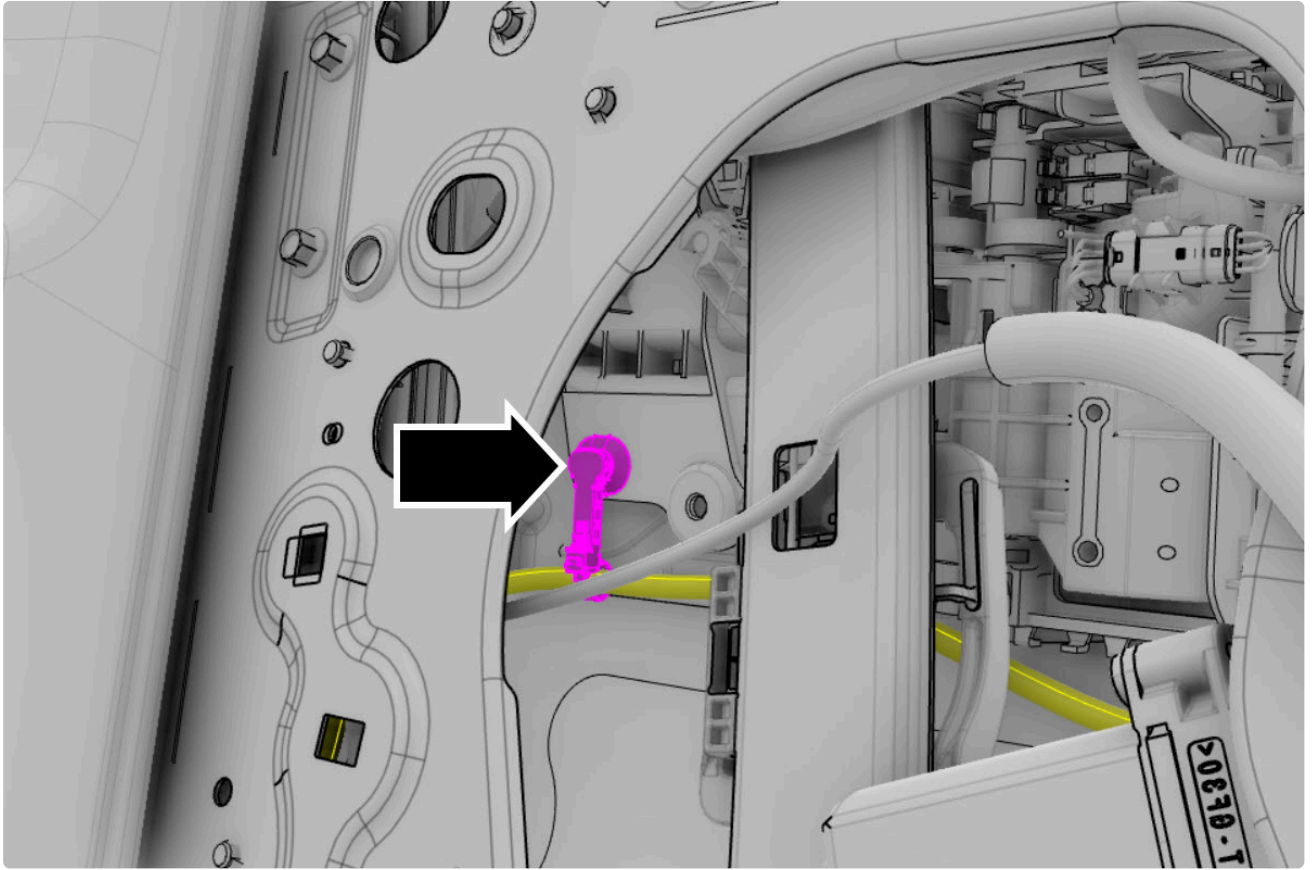
**Note:**

Shown with components removed for clarity.

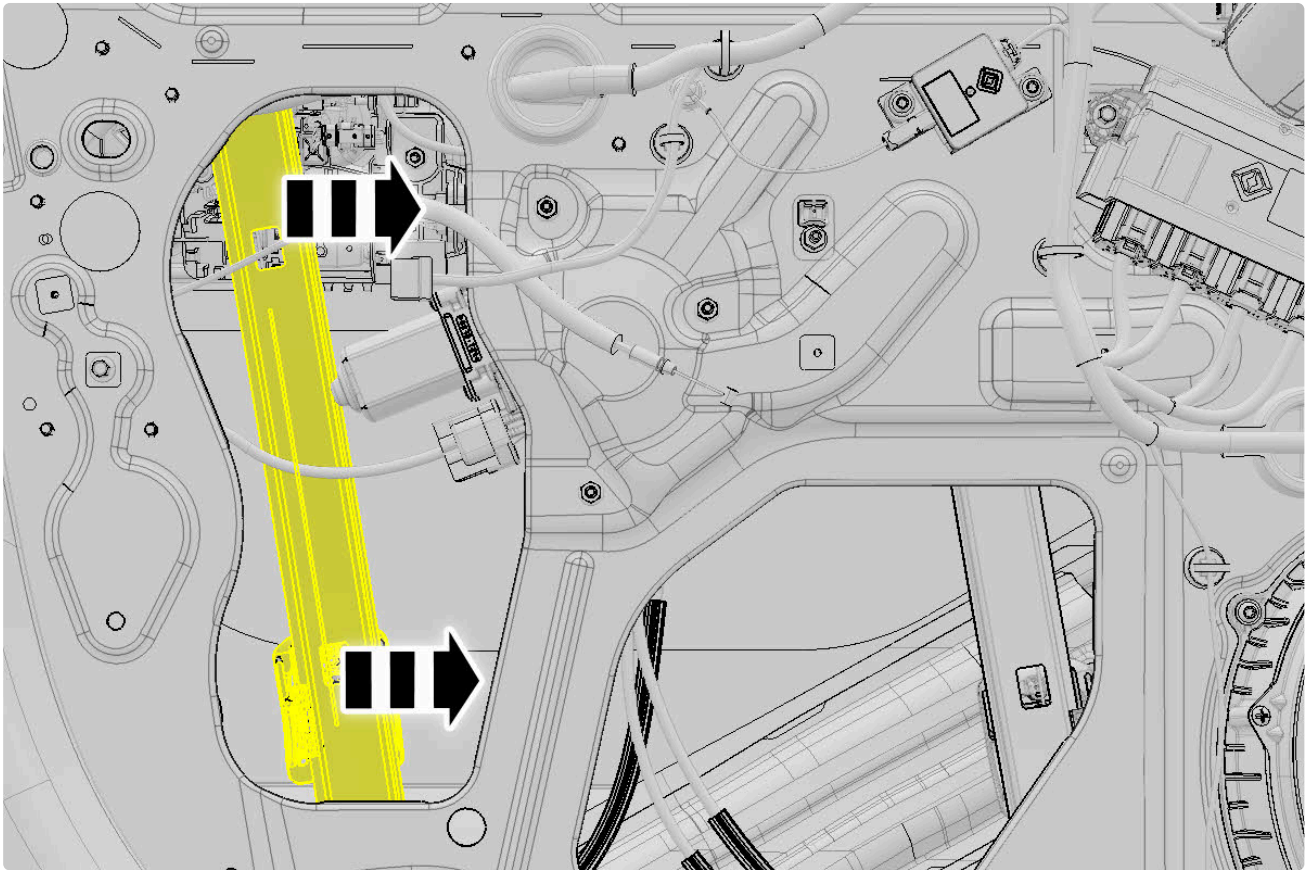
17.



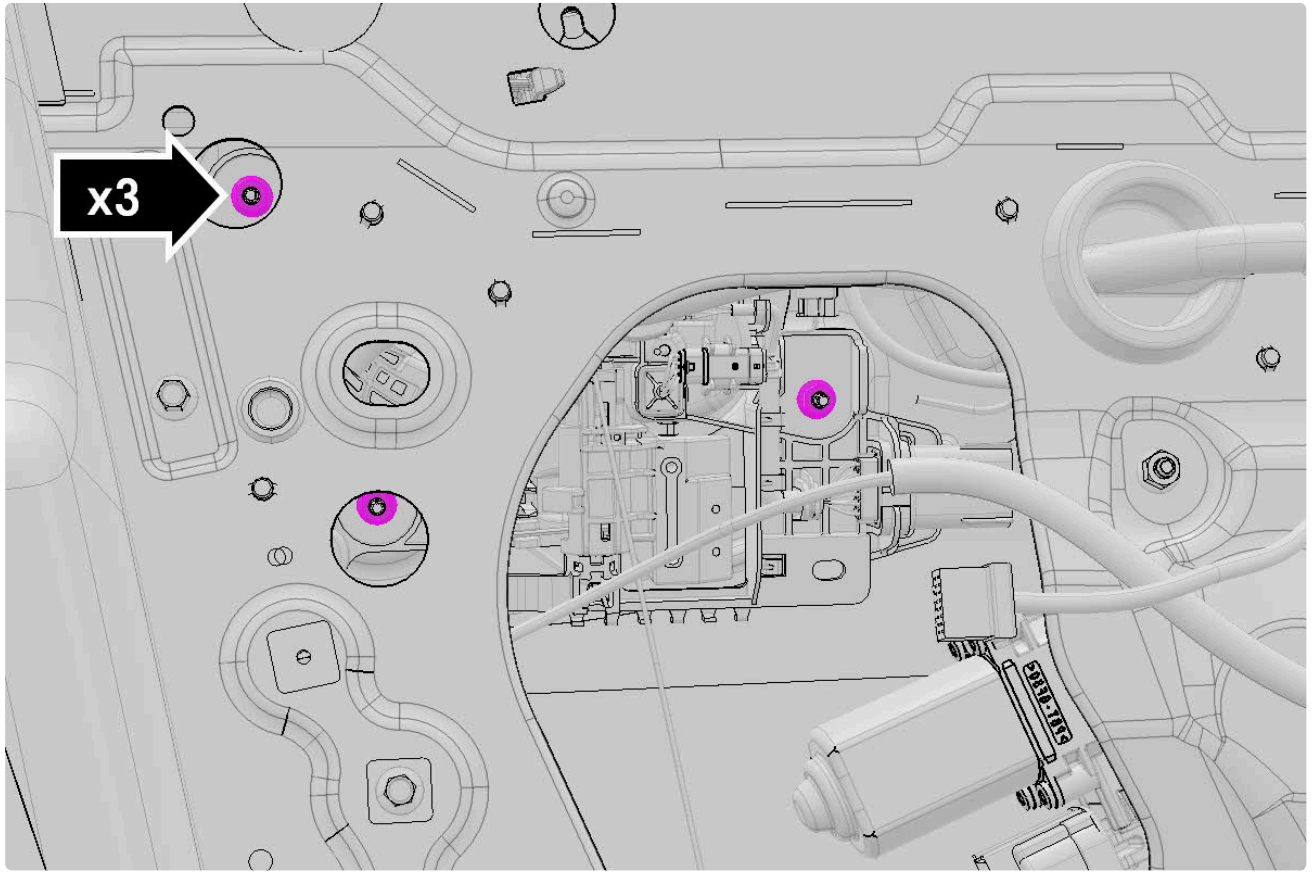
18.



19.



20.

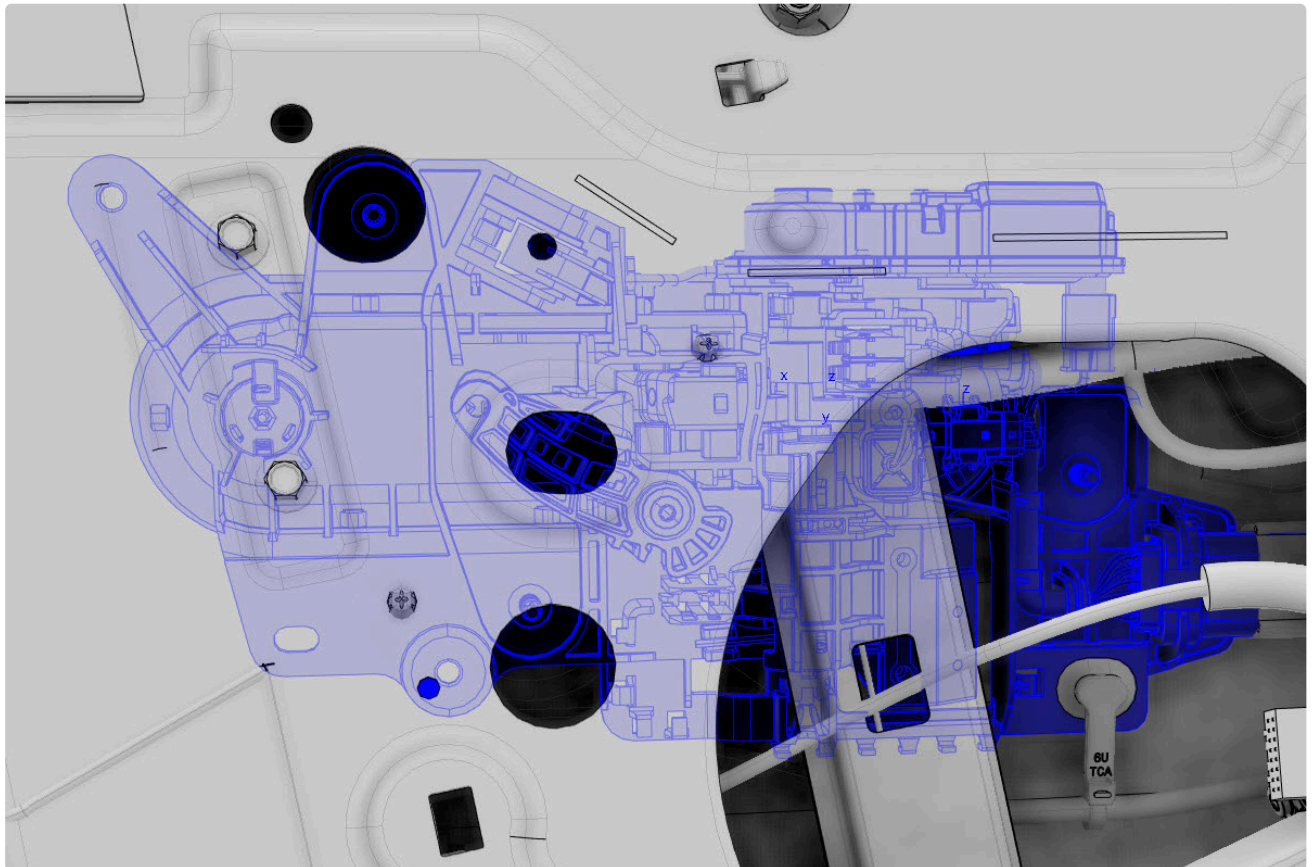


**CAUTION:**

Potentially non-reusable fastener(s).

Torque: 5 Nm

21.



# Installation

Installation is the reverse of removal, except for the following:

- If necessary: Perform: One of the following:
  - [Handgrip, Front Door Exterior Handle, LH \(Remove and Reinstall\)](#)
  - [Handgrip, Front Door Exterior Handle, LH \(Refinish\)](#)

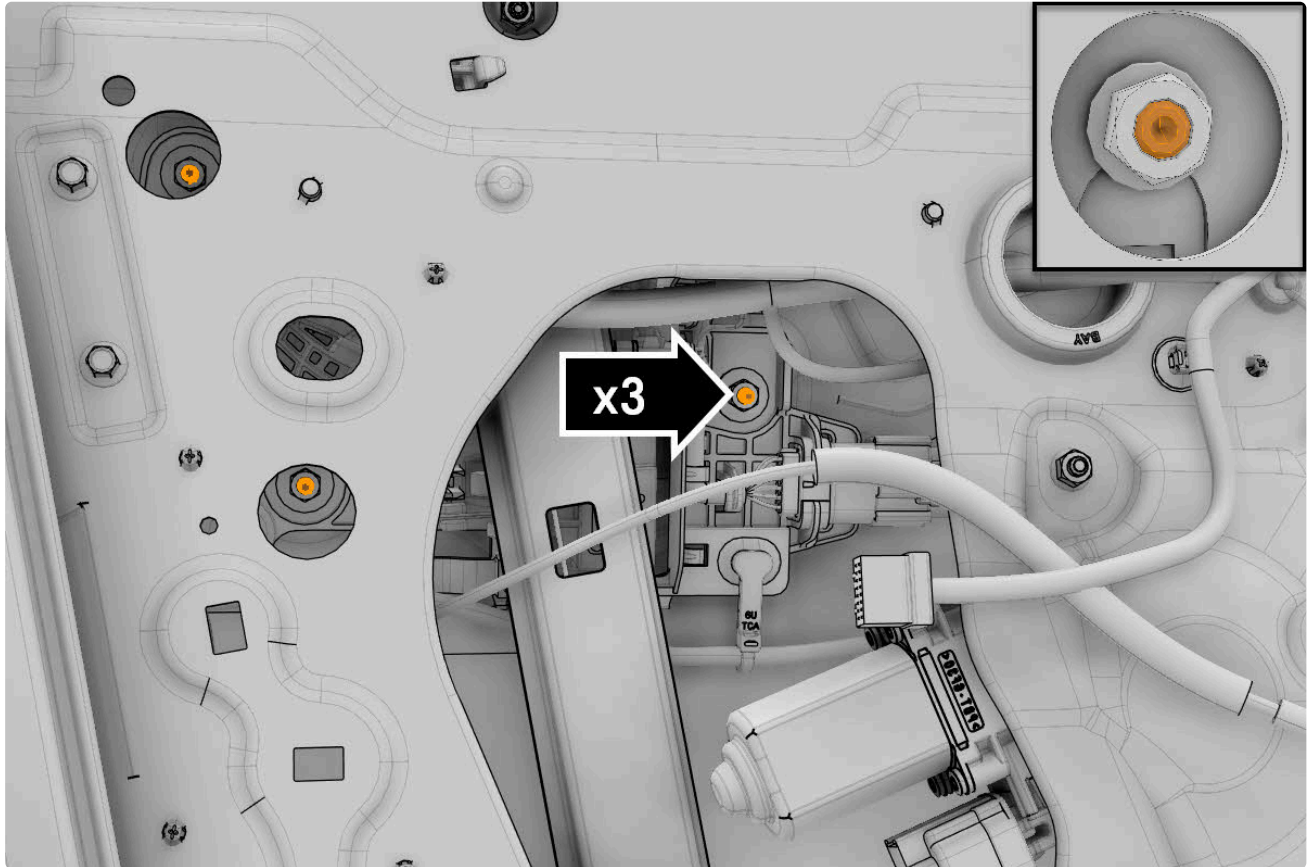
**Note:**

The labor time for this linked procedure is not included. If necessary: Add the additional labor code for this linked procedure to the work order.

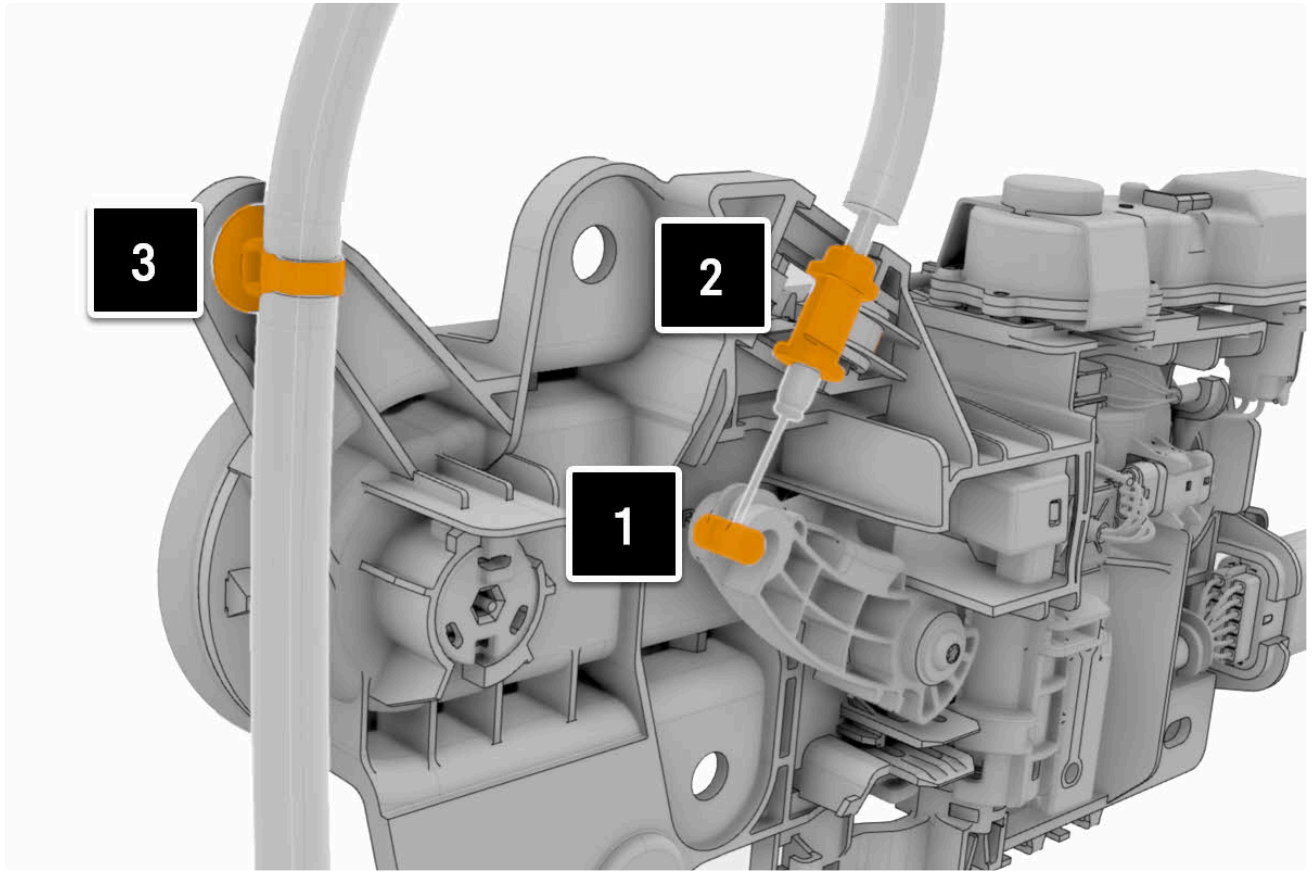
**CAUTION:**

Replace all non-reusable components.

- Test-fit the component. If adjustment is necessary:



- Install the component(s) in the order shown.



- **DANGER:**  
Make sure that all tape, body plugs, and water shields are reinstalled securely in their original locations. If necessary, replace these components.